

DGR40-2000-03R

A

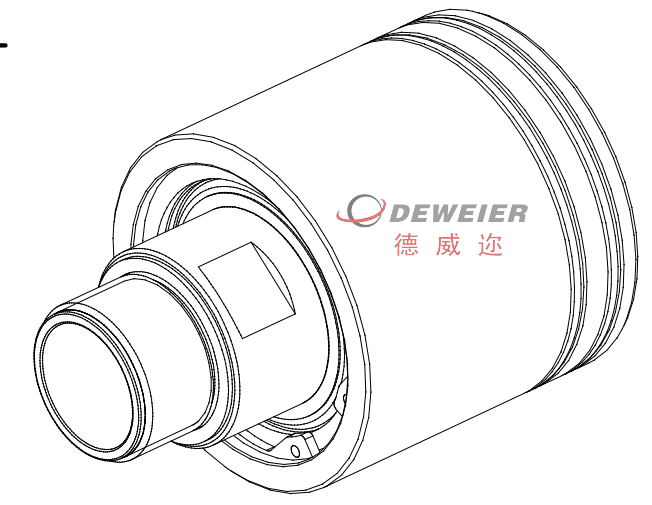
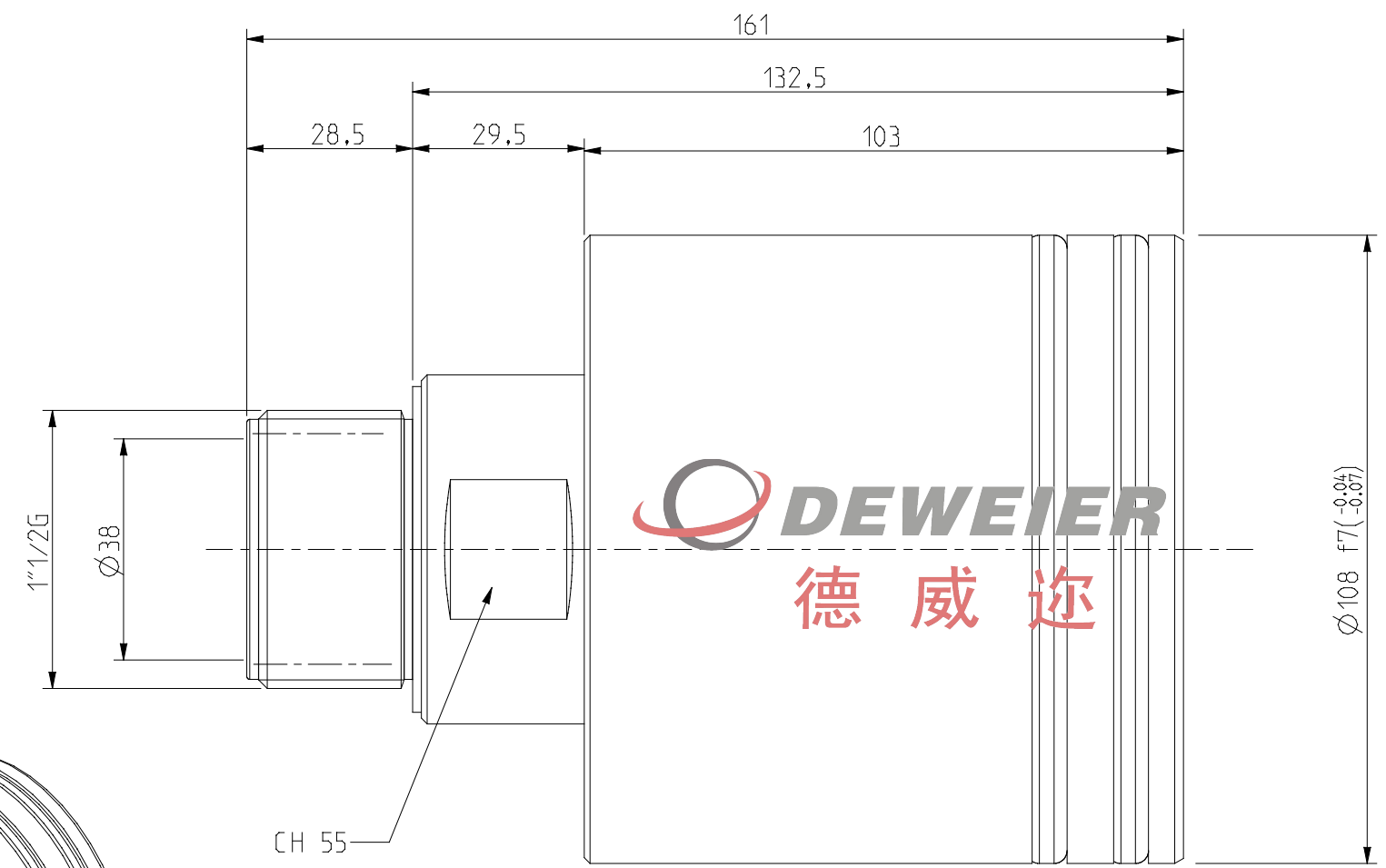
B

C

A

B

C



枣庄市德威迩机械科技有限公司

Dewel Machinery Technology Co., Ltd.

技术参数 TECHNICAL PARAMETERS

使用参数 Working parameters

MAX. PRESSURE	2.0MPa; (<20Bar)
MAX. SPEED	2500RPM;
TEMPERATURE	-20℃-----+80℃
MEDIA TYPE 介质	water/Hot water/air/oil
	热水/冷却水/压缩空气/油品

介质 Fluid	压力 Pressure	温度 Temperature	转速 Rotating speed
空气 Air	1.0MPa;	-30℃-----+120℃	1200RPM
水 Water	1.1MPa;	-30℃-----+120℃	2300RPM

Double high-precision groove ball bearings for high stability.
Balanced mechanical sealing structure for prolonged service life.
Standard Sic/Carbon Graphite sealing pair for good sealing performance. Optional Sic/Sic, Tungsten carbide/Tungsten carbide and other sealing pairs for strict environment.

备注：技术参数数据为最大值，并不能同时使用；
The technical parameter data is the maximum value and cannot be used at the same time.

订货编号 Order-No.		
Copper 铜壳	Aluminum 铝壳	Stainless 不锈钢壳
DGR40-2001-03R	DGR40-2002-03R	DGR40-2003-03R
适用介质：水/热水/油品等 Applicable medium: water/hot water/oil	适用介质：压缩空气/液压油等 Applicable medium: compressed air hydraulic oil	适用介质：冷却水/切削液 Applicable medium: water/cutting fluid
旋转接头 Rotary joint E-mail: sddeweier88@163.com		 德威迩 www.sddeweier.com
	TEL: +86 632 5822778 TEL: +86 632 5832779	P/N: DGR40-2000-03R

1

2

3

4

5

6